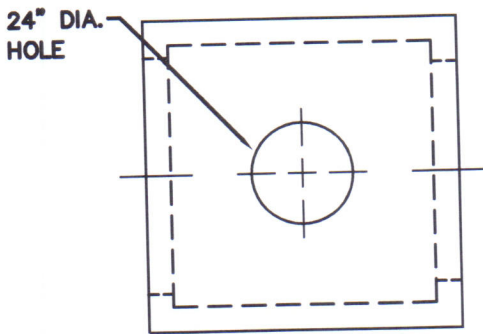


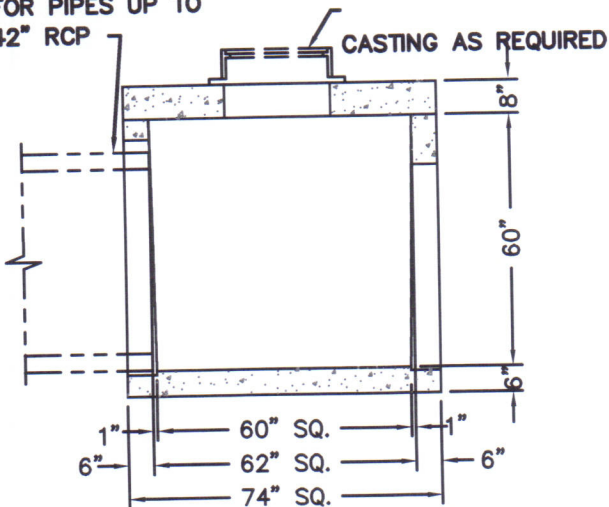
STORMWATER DESIGN MANUAL

TECHNICAL DRAWINGS

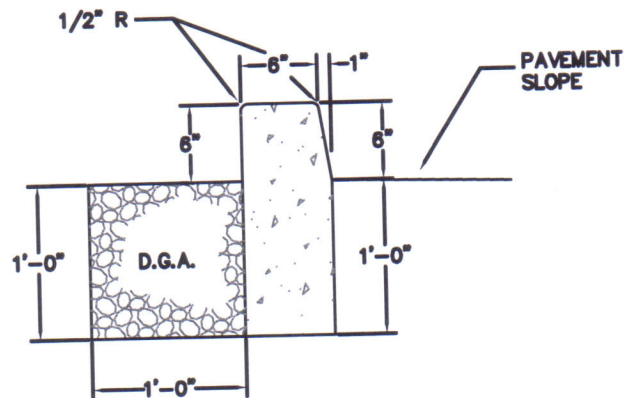
CITY OF TAYLORSVILLE



OPENINGS AS REQUIRED
FOR PIPES UP TO
42" RCP

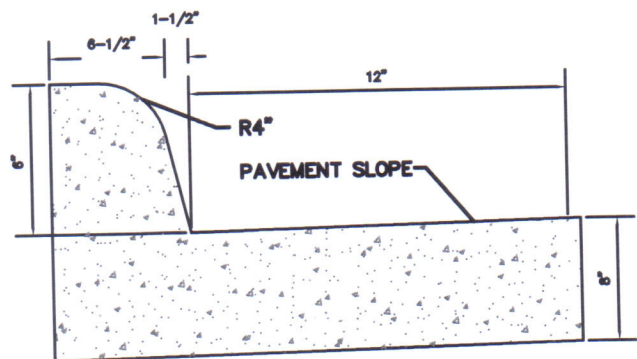


CONCRETE: 4500 PSI @ 28 DAYS.
REINFORCEMENT: #4 @ 9" O.C., E.W.
JOINTS SEALED WITH CONSEAL.
CONCRETE WEIGHTS: TOP SLAB - 2500#
66" BASE - 12,625#



CONCRETE HEADER CURB

NOT TO SCALE



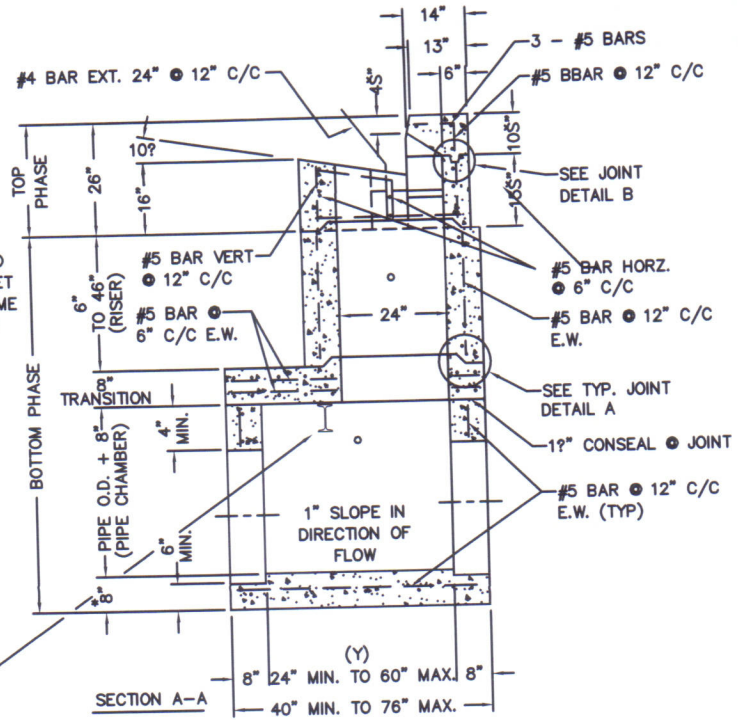
5'X5' STORM MANHOLE BARRIER CURB AND GUTTER

NOT TO SCALE

NOT TO SCALE

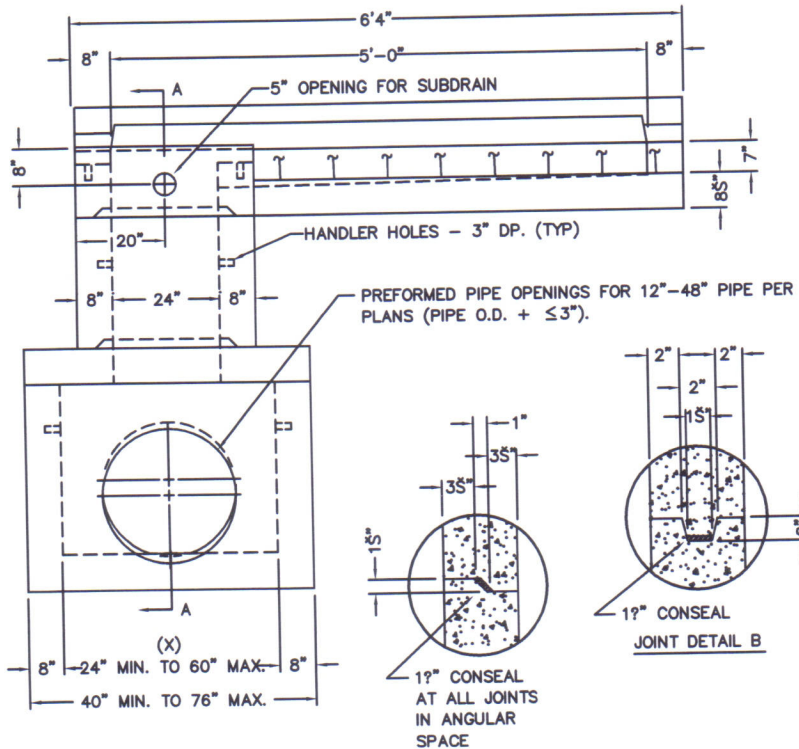
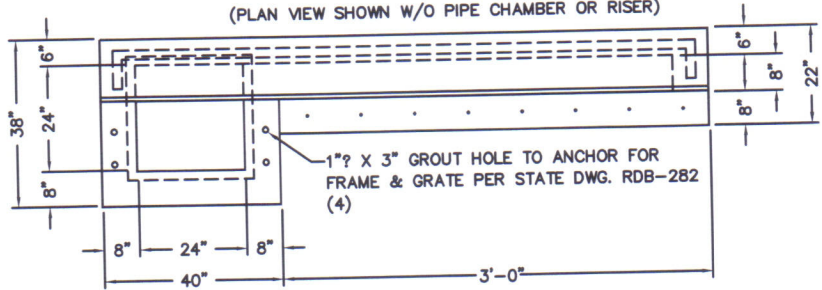
NOTE:

STRUCTURE TO MEET KDOT STANDARD RDB-280-03 TYPE B CURB BOD INLET WITH KDOT STANDARD RDB-282 FRAME AND GRATE, OR ENGINEER APPROVED EQUAL.

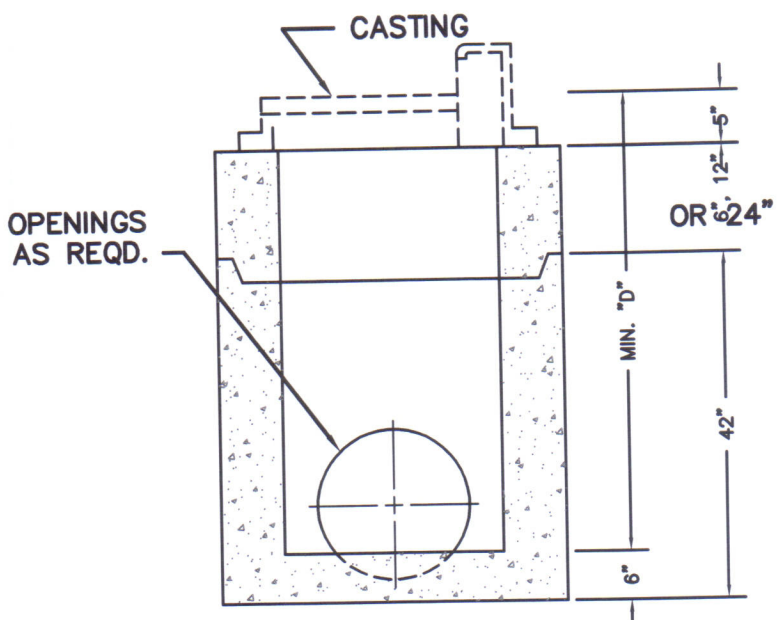
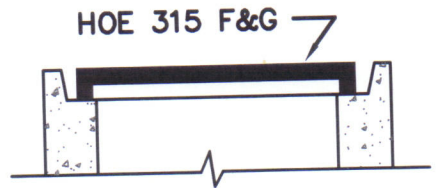
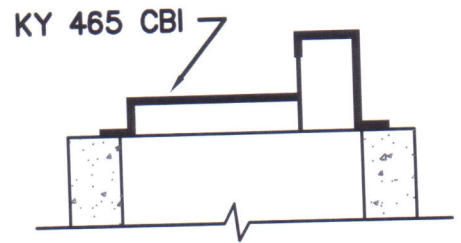
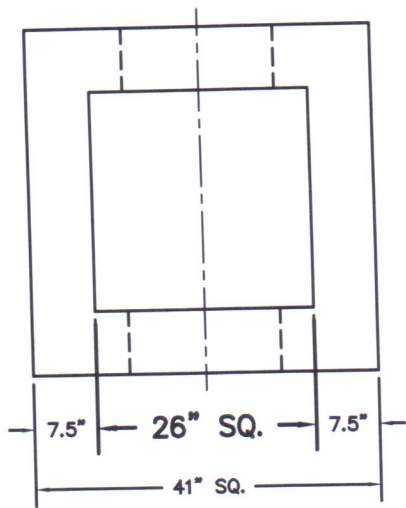


W6x9.0 GALVANIZED, LENGTH = X + 10" EXTENDED TO WITHIN 3" OF OUTSIDE FACE. REQD. WHEN Y IS 3'-6" OR GREATER

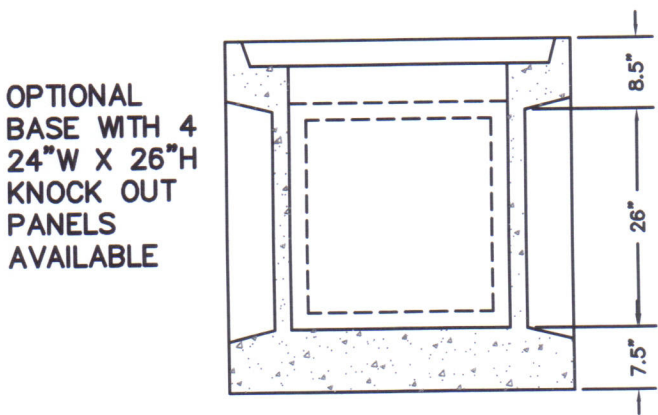
(PLAN VIEW SHOWN W/O PIPE CHAMBER OR RISER)



TYPICAL JOINT DETAIL A

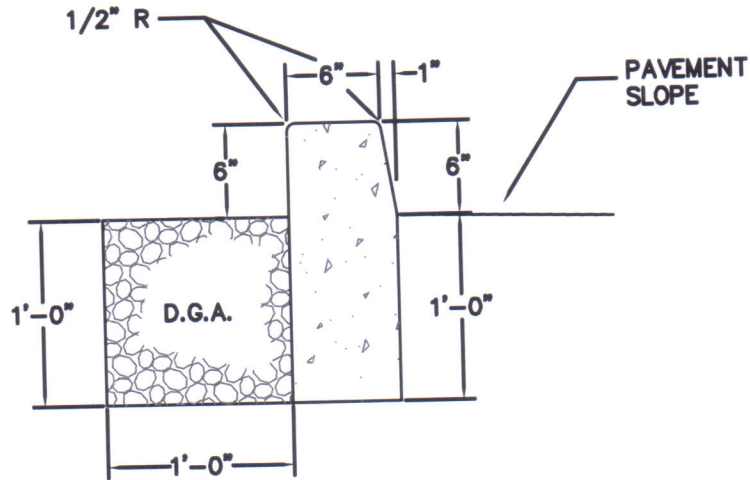


MIN. DEPTH FOR RCP	
PIPE	"D"
12"	2.08'
15"	2.40'
18"	2.70'
24"	3.16'

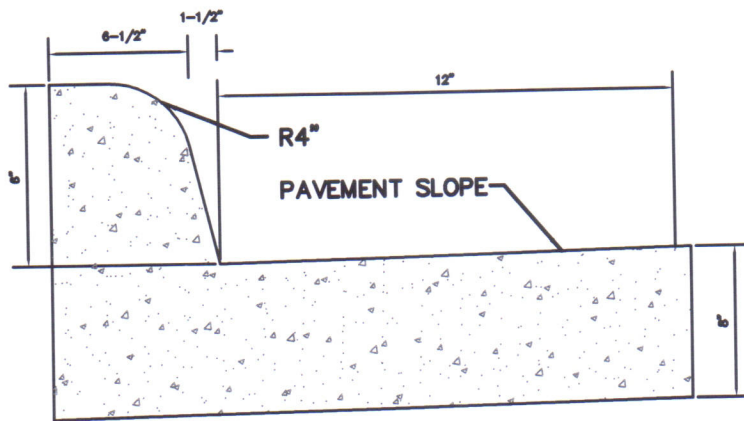


CLOUD TYPE F CURB BOX INLET AND RISER

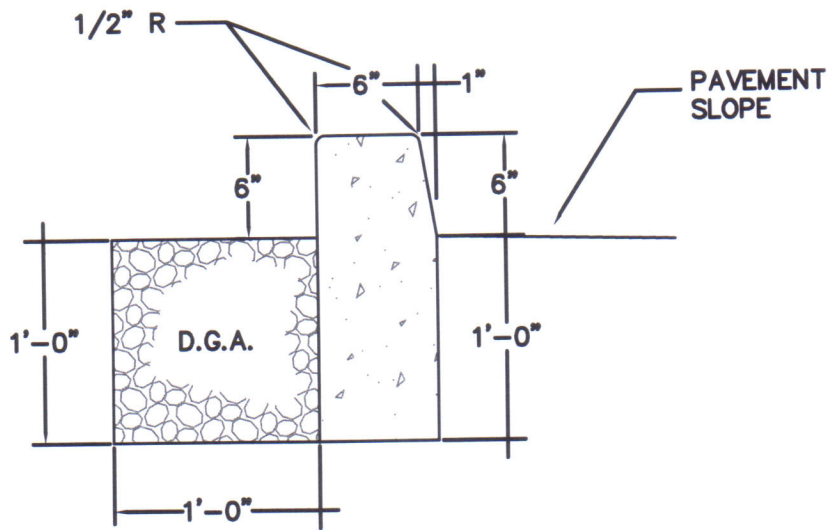
NOT TO SCALE



CONCRETE HEADER CURB
NOT TO SCALE



BARRIER CURB AND GUTTER
NOT TO SCALE



CONCRETE HEADER CURB
NOT TO SCALE